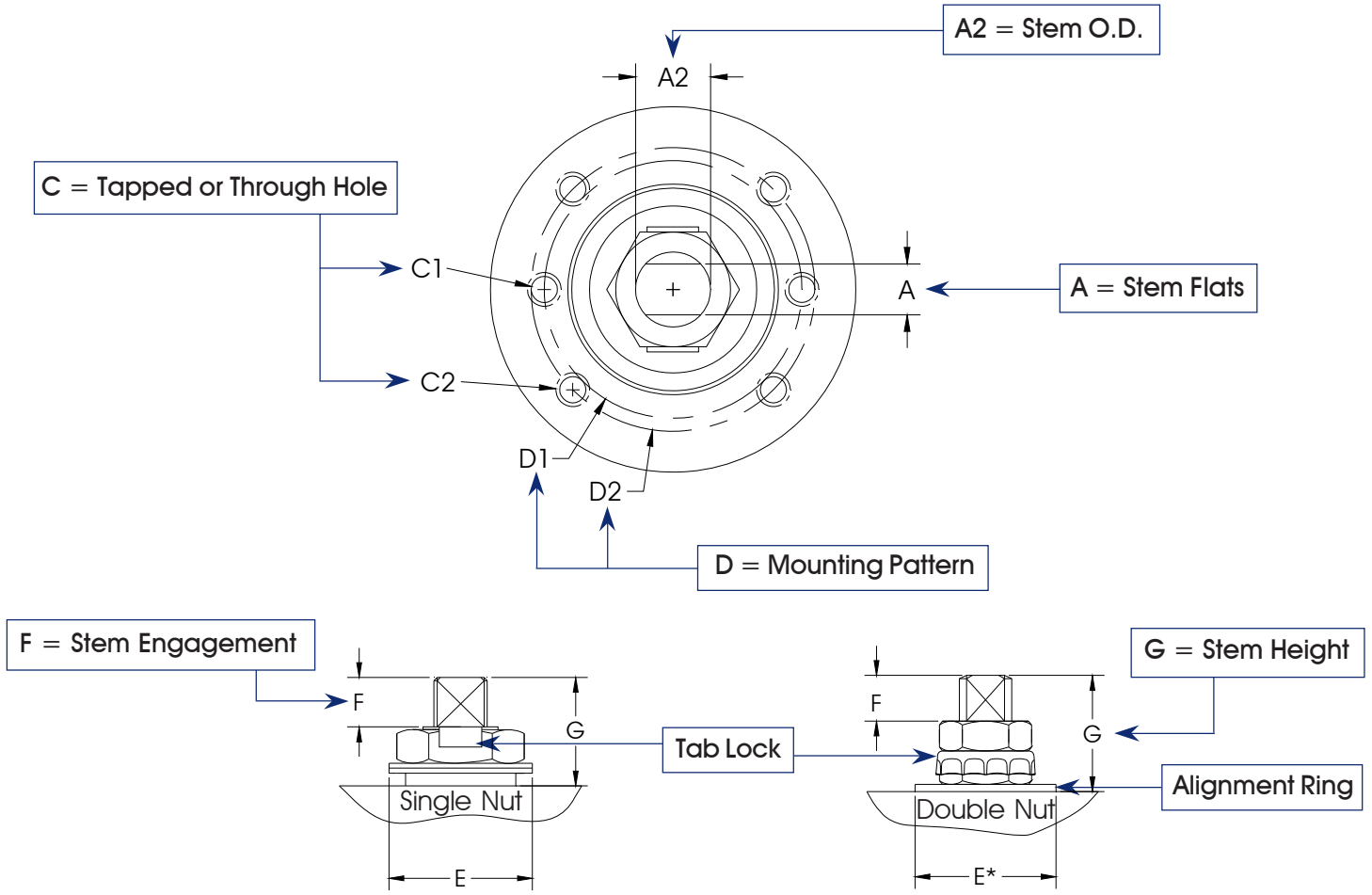


TopWorks Data Sheets provide the dimensions necessary to actuate an SVF valve.



Valve Series and Size
(Stem assembly - single or double nut)

International Standard for
mounting pad dimensions

SIZE	A	A2	B	C	D1	D2	ISO 5211	E	F	G
2"	0.35	0.55	2.5	M6-1.0	1.77	1.97	F05	1.4	0.46	1.23

The above layout is a representation of a TopWorks Data Sheet. In some cases single nut or double nut stem assemblies are utilized, depending upon stem engagement as noted in (F) above. An alignment ring, like the one displayed above (E*), is used to align and center the accessories being mounted onto the valve. Dimension (E) is provided to ensure enough clearance is allocated for any accessories being mounted. Tab locks are positioned above the stem nut to keep the nut tight.

All data is based on SVF assemblies. All dimensions shown are in inches.



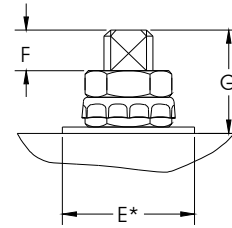
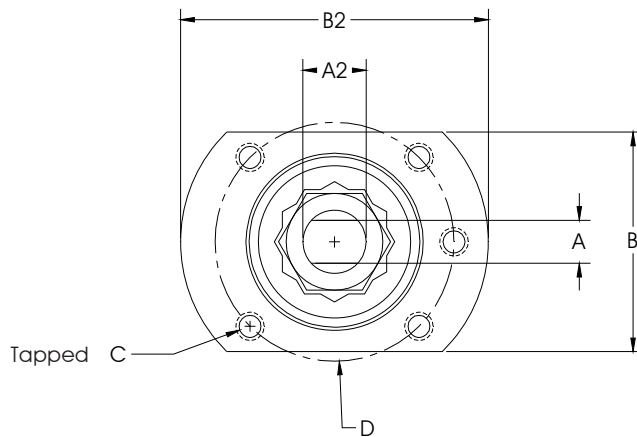
INDEX

VALVE	SIZE	PAGE
R8	1/4" ~ 2-1/2"	1
R8	3"	1
B8	1/2" ~ 2"	2
B8	2-1/2"	2
H7	1/2"	3
H7	3/4" ~ 1"	3
H7	1-1/2"	4
H7	2"	4
HBEV	1/4" ~ 2"	5
EZ9	1/4" ~ 2"	5
41 Rev3	1-1/2" ~ 4"	6
B41 Rev3	1/2" ~ 8"	6
SB7	1/4" ~ 1"	7
SB7	1-1/2"	7
SB7	2"	8
SB7	2-1/2"	8
SB7	3"	8
SB7F	1/4" ~ 3/4"	9
SB7F	1" ~ 2"	9
P4	1/2"	10
P4	3/4"	10
P4	1"	10
FS7	3" ~ 4"	11



R8 - SIZES 1/4" ~ 2-1/2"

1



* Alignment Ring

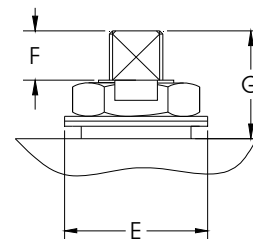
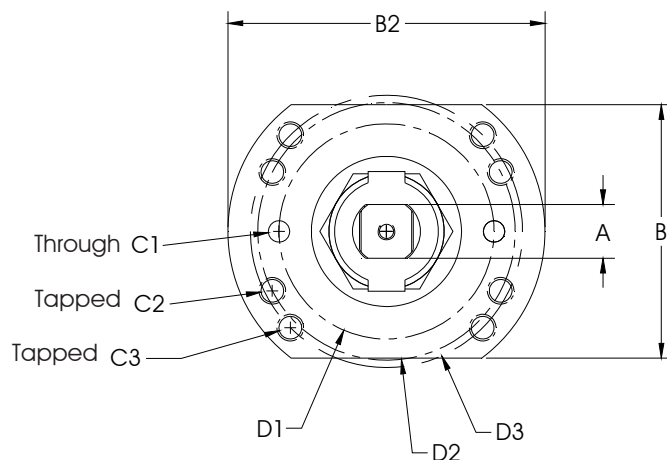
R8

Sizes 1/4" ~ 2-1/2"

R8 1/4" ~ 2-1/2" (Double Nut)

SIZE	A	A2	B	B2	C	D	ISO 5211	E	F	G
1/4"	0.22	0.37	1.8	1.5	M5-0.8	1.42	F03	1.0	0.12	0.37
3/8"	0.22	0.37	1.8	1.5	M5-0.8	1.42	F03	1.0	0.12	0.37
1/2"	0.22	0.37	1.8	1.5	M5-0.8	1.42	F03	1.0	0.12	0.37
3/4"	0.22	0.37	1.8	1.5	M5-0.8	1.42	F03	1.0	0.17	0.37
1"	0.30	0.43	2.1	1.7	M5-0.8	1.65	F04	1.2	0.34	0.70
1-1/4"	0.30	0.43	2.1	1.7	M5-0.8	1.65	F04	1.2	0.34	0.93
1-1/2"	0.34	0.56	2.6	2.1	M6-1.0	1.97	F05	1.4	0.40	1.18
2"	0.34	0.56	2.6	2.1	M6-1.0	1.97	F05	1.4	0.40	1.18
2-1/2"	0.34	0.56	2.6	2.1	M6-1.0	1.97	F05	1.4	0.42	1.22

R8 - SIZE 3"



R8

Size 3"

R8 - 3" (Single Nut)

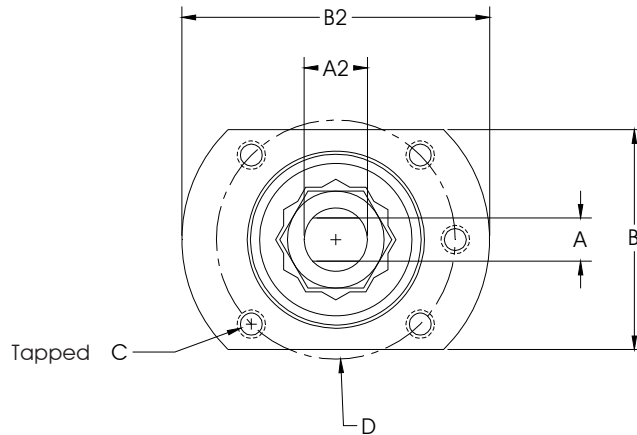
SIZE	A (SQ.)	B	B2	C1	C2 & C3	D1	D2	D3	ISO 5211	E	F	G
3"	0.75	3.7	4.0	0.39	M10-1.5	3.18	3.79	4.02	F10	2.0	0.54	1.96

1



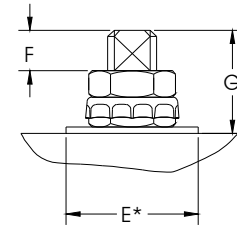
B8 - SIZES 1/2" ~ 2"

2



B8

Sizes 1/2" ~ 2"

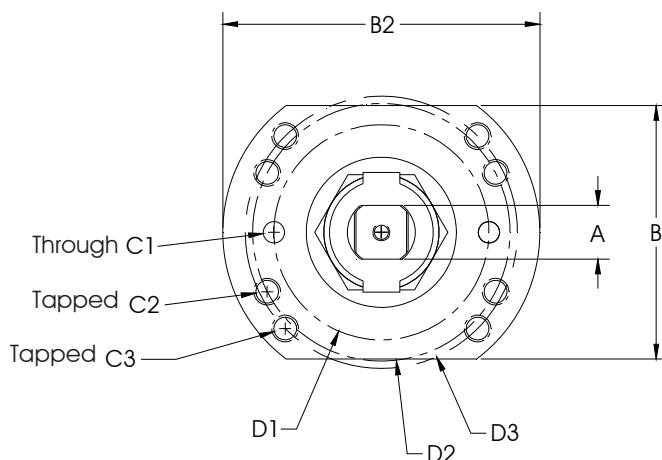


* Alignment Ring

B8 1/2"~ 2" (Double Nut)

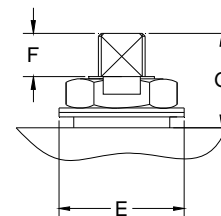
SIZE	A	A2	B	B2	C	D	ISO 5211	E	F	G
1/2"	0.22	0.37	1.8	1.5	M5-0.8	1.42	F03	1.0	0.12	0.37
3/4"	0.30	0.43	2.1	1.7	M5-0.8	1.65	F04	1.2	0.34	0.70
1"	0.30	0.43	2.1	1.7	M5-0.8	1.65	F04	1.2	0.34	0.93
1-1/4"	0.34	0.56	2.6	2.1	M6-1.0	1.97	F05	1.4	0.40	1.18
1-1/2"	0.34	0.56	2.6	2.1	M6-1.0	1.97	F05	1.4	0.40	1.18
2"	0.34	0.56	2.6	2.1	M6-1.0	1.97	F05	1.4	0.42	1.22

B8 - SIZE 2-1/2"



B8

Size 2-1/2"



B8 - 2-1/2" (Single Nut)

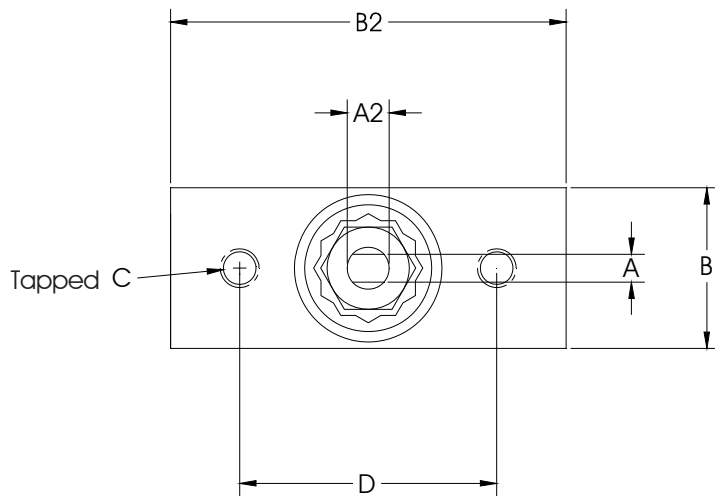
SIZE	A (SQ.)	B	B2	C1	C2 & C3	D1	D2	D3	ISO 5211	E	F	G
2-1/2"	0.75	3.7	4.0	0.39	M10-1.5	3.18	3.79	4.02	F10	2.0	0.54	1.96

2



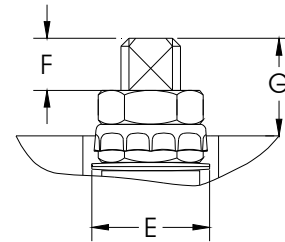
H7 - SIZE 1/2"

3



H7

Size 1/2"



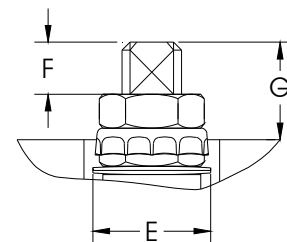
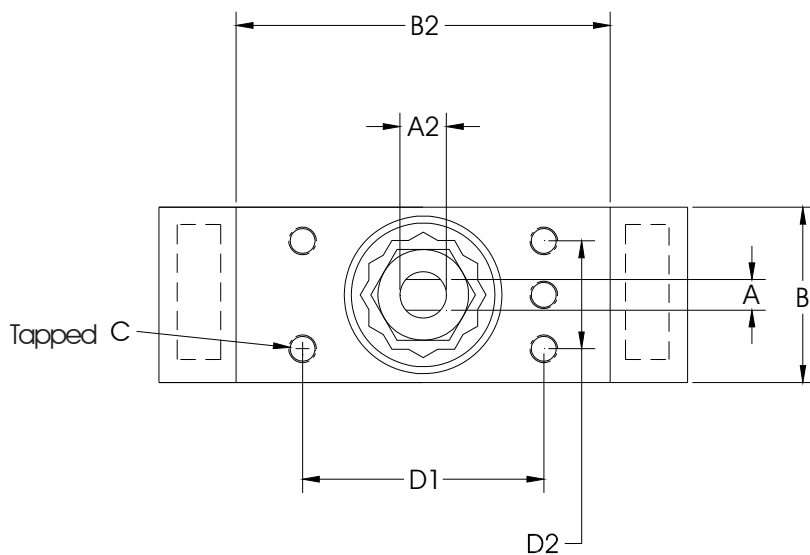
H7 - 1/2" (Double Nut)

SIZE	A	A2	B	B2	C	D	E	F	G
1/2"	0.22	0.37	0.81	1.78	M5-0.8	1.34	0.7	0.18	0.44

H7 - SIZES 3/4" ~ 1"

H7

Sizes 3/4" ~ 1"



H7 - 3/4" ~ 1" (Double Nut)

SIZE	A	A2	B	B2	C	D1	D2	E	F	G
3/4"	0.22	0.37	1.00	2.03	M5-0.8	1.32	0.59	0.7	0.18	0.44
1"	0.30	0.43	1.25	2.40	M5-0.8	1.64	0.94	0.9	0.28	0.67

3

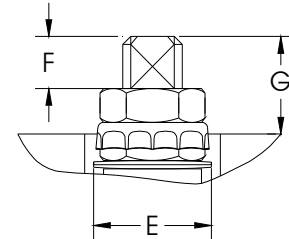
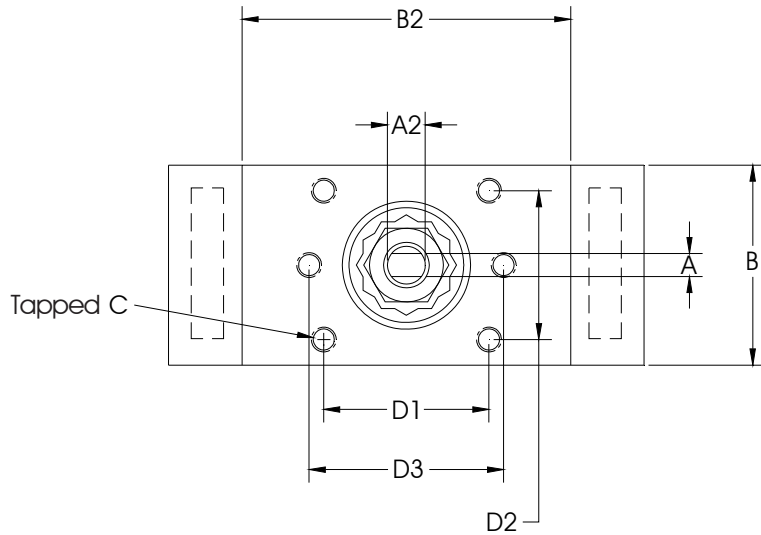


H7 - SIZE 1-1/2"

4

H7

Size 1-1/2"



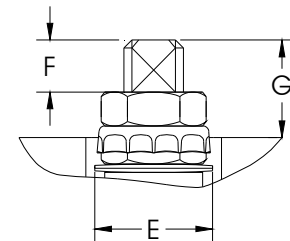
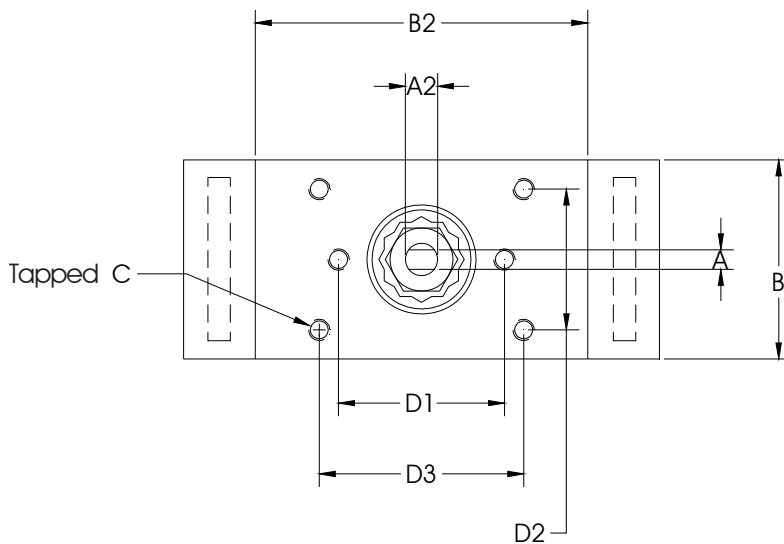
H7 - 1-1/2" (Double Nut)

SIZE	A	A2	B	B2	C	D1	D2	D3	E	F	G
1-1/2"	0.34	0.55	1.90	3.15	M6-1.0	1.65	1.41	1.85	1.1	0.34	0.91

H7 - SIZE 2"

H7

Size 2"



H7 - 2" (Double Nut)

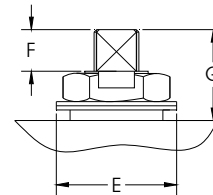
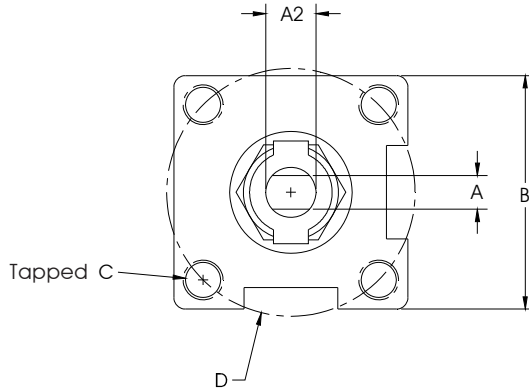
SIZE	A	A2	B	B2	C	D1	D2	D3	E	F	G
2"	0.34	0.55	2.21	3.69	M6-1.0	2.28	1.55	1.85	1.1	0.34	0.91

4



HBEV - SIZES 1/4" ~ 2"

5



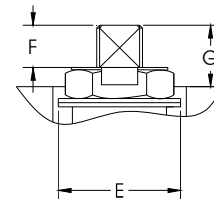
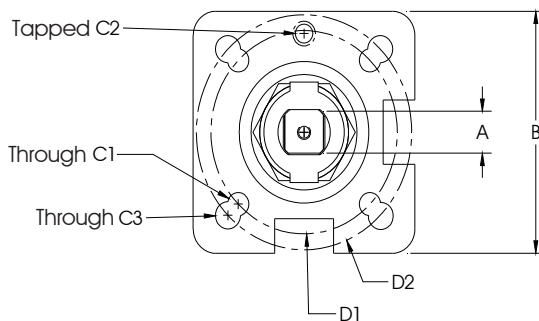
HBEV

Sizes 1/4" ~ 2"

HBEV - 1/4" ~ 2" (Single Nut)

SIZE	A	A2	B	C	D	ISO 5211	E	F	G
1/4"	0.22	0.36	1.4	M5-0.8	1.42	F03	0.8	0.31	0.58
3/8"	0.22	0.36	1.4	M5-0.8	1.42	F03	0.8	0.31	0.58
1/2"	0.22	0.36	1.4	M5-0.8	1.42	F03	0.8	0.36	0.63
3/4"	0.30	0.43	1.6	M5-0.8	1.65	F04	0.9	0.55	0.84
1"	0.34	0.54	1.6	M5-0.8	1.65	F04	1.1	0.51	0.90
1-1/2"	0.39	0.61	1.9	M6-1.0	1.97	F05	1.3	0.56	1.06
2"	0.39	0.61	1.9	M6-1.0	1.97	F05	1.3	0.61	1.06

EZ9 - SIZES 1/4" ~ 2"



EZ9

Sizes 1/4" ~ 2"

EZ9 - 1/4" ~ 2" (Single Nut)

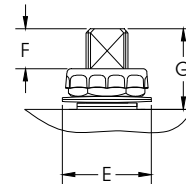
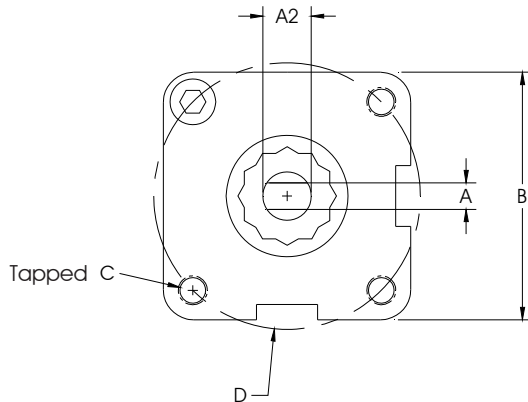
SIZE	A(SQ.)	B	C1	C2	C3	D1	ISO 5211	D2	ISO 5211	E	F	G
1/4"	0.35	1.7	0.24	M5-0.8	0.24	1.65	F04	1.97	F05	0.9	0.31	0.34
3/8"	0.35	1.7	0.24	M5-0.8	0.24	1.65	F04	1.97	F05	0.9	0.31	0.34
1/2"	0.35	2.0	0.24	M5-0.8	0.28	1.65	F04	1.97	F05	0.9	0.28	0.34
3/4"	0.35	2.0	0.24	M5-0.8	0.28	1.65	F04	1.97	F05	0.9	0.28	0.34
1"	0.43	2.0	0.24	M5-0.8	0.28	1.65	F04	1.97	F05	1.1	0.38	0.45
1-1/4"	0.43	2.0	0.24	M5-0.8	0.28	1.65	F04	1.97	F05	1.1	0.38	0.45
1-1/2"	0.55	2.7	0.28	M5-0.8	0.31	1.97	F05	2.76	F07	1.3	0.49	0.55
2"	0.55	2.7	0.28	M5-0.8	0.31	1.97	F05	2.76	F07	1.3	0.49	0.55

5



41 REV3 - SIZES 1-1/2" ~ 4"

6



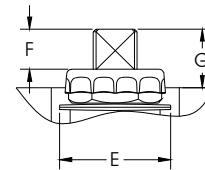
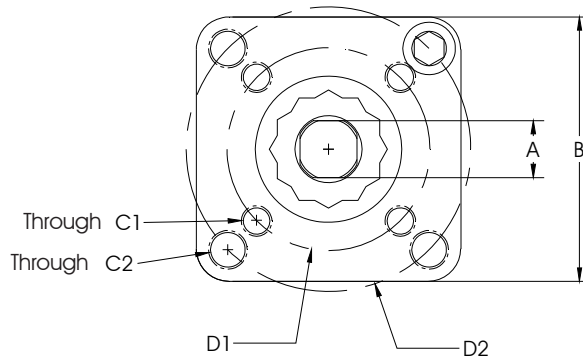
41R3

Sizes 1-1/2" ~ 4"

41 Rev3 - 1-1/2" ~ 4" (Single Nut)

SIZE	A	A2	B	C	D1	ISO 5211	E	F	G
1-1/2"	0.38	0.62	2.6	M8-1.25	2.76	F07	1.24	0.65	1.26
2"	0.38	0.62	2.6	M8-1.25	2.76	F07	1.24	0.65	1.26
3"	0.63	0.87	3.6	M10-1.5	4.02	F10	1.78	0.87	1.67
4"	0.71	1.12	3.6	M10-1.5	4.02	F10	2.26	1.14	2.17

B41 REV3 - SIZES 1/2" ~ 8"



B41R3

Sizes 1/2" ~ 8"

B41 Rev3 - 1/2" ~ 8" (Single Nut)

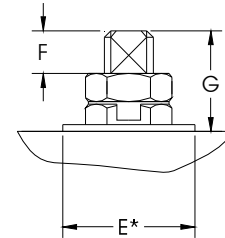
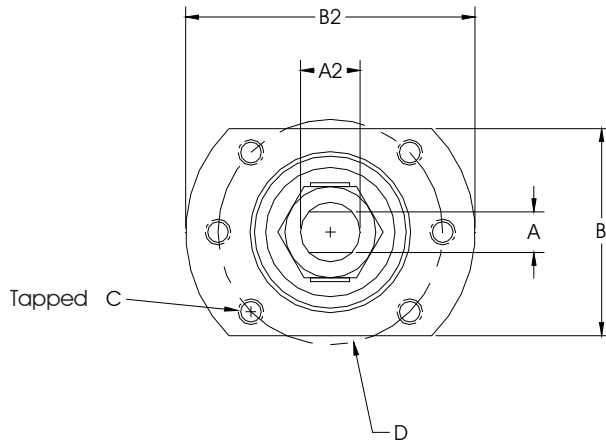
SIZE	A(SQ.)	B	C1	C2	D1	ISO 5211	D2	ISO 5211	E	F	G
1/2"	0.35	1.7	0.24	0.24	1.42	F03	1.65	F04	0.90	0.36	0.35
3/4"	0.35	2.0	0.24	0.28	1.42	F03	1.97	F05	0.90	0.49	0.35
1"	0.43	2.0	0.24	0.28	1.65	F04	1.97	F05	1.26	0.57	0.43
1-1/4"	0.43	2.6	0.24	0.35	1.65	F04	2.76	F07	1.26	0.57	0.43
1-1/2"	0.55	2.6	0.28	0.35	1.97	F05	2.76	F07	1.49	0.70	0.55
2"	0.55	2.6	0.28	0.35	1.97	F05	2.76	F07	1.49	0.59	0.55
2-1/2"	0.67	3.6	0.35	0.43	2.76	F07	4.02	F10	1.73	0.70	0.67
3"	0.67	3.6	0.35	0.43	2.76	F07	4.02	F10	1.73	0.67	0.67
4"	0.87	3.6	-	0.43	-	-	4.02	F10	2.23	0.82	0.87
6"	1.06	4.9	0.55	-	4.92	F12	-	-	2.74	1.12	1.08
8"	1.06	5.5	0.55	-	4.92	F12	-	-	2.74	1.12	1.08

6



SB7 - SIZES 1/4" ~ 1"

7



* Alignment Ring

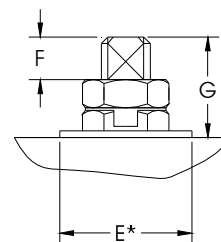
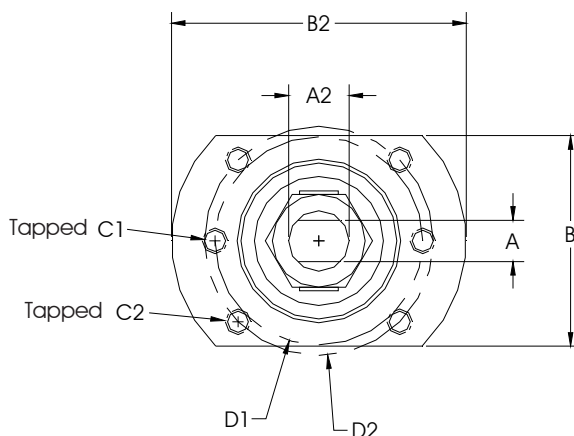
SB7
Sizes 1/4" ~ 1"

SB7 - 1/4" ~ 1" (Double Nut)

SIZE	A	A2	B	B2	C	D1	ISO 5211	E	F	G
1/4"	0.22	0.37	1.4	1.8	M5-0.8	1.42	F03	1.0	0.24	0.64
3/8"	0.22	0.37	1.4	1.8	M5-0.8	1.42	F03	1.0	0.24	0.64
1/2"	0.22	0.37	1.4	1.8	M5-0.8	1.42	F03	1.0	0.24	0.64
3/4"	0.22	0.37	1.4	1.8	M5-0.8	1.42	F03	1.0	0.24	0.64
1"	0.30	0.43	1.6	2.1	M5-0.8	1.65	F04	1.2	0.36	0.78

SB7 - SIZE 1-1/2"

SB7
Size 1-1/2"



* Alignment Ring

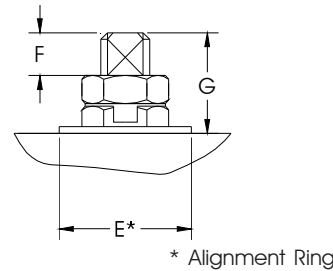
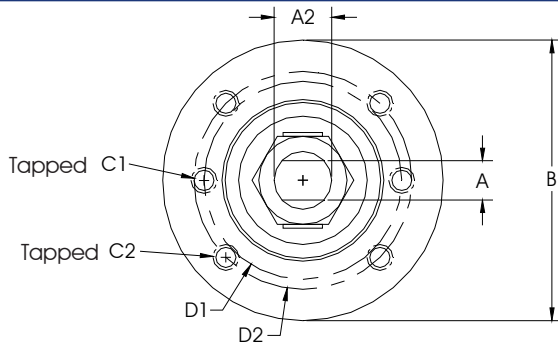
SB7 - 1-1/2" (Double Nut)

SIZE	A	A2	B	B2	C1 & C2	D1	D2	ISO 5211	E	F	G
1-1/2"	0.34	0.56	2.1	2.3	M6-1.0	1.75	1.97	F05	1.4	0.50	1.27

7

SB7 - SIZE 2"

8



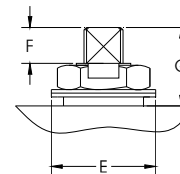
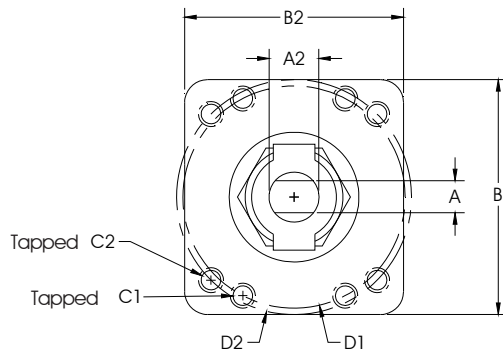
SB7

Size 2"

SB7 - 2" (Double Nut)

SIZE	A	A2	B	C1 & C2	D1	D2	ISO 5211	E	F	G
2"	0.35	0.55	2.5	M6-1.0	1.77	1.97	F05	1.4	0.46	1.23

SB7 - SIZE 2-1/2"



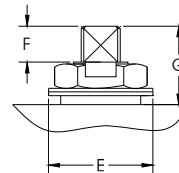
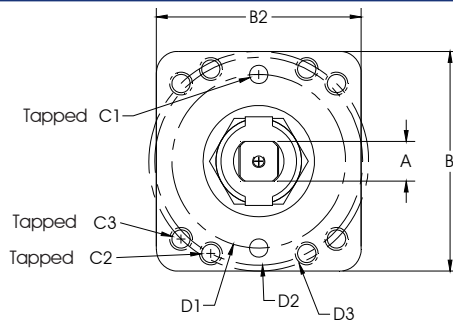
SB7

Size 2-1/2"

SB7 - 2-1/2" (Single Nut)

SIZE	A	A2	B	B2	C1 & C2	D1	ISO 5211	D2	E	F	G
2-1/2"	0.55	0.77	2.7	3.3	M8-1.25	2.76	F07	3.03	1.6	0.68	1.69

SB7 - SIZES 3" ~ 4"



SB7

Sizes 3" ~ 4"

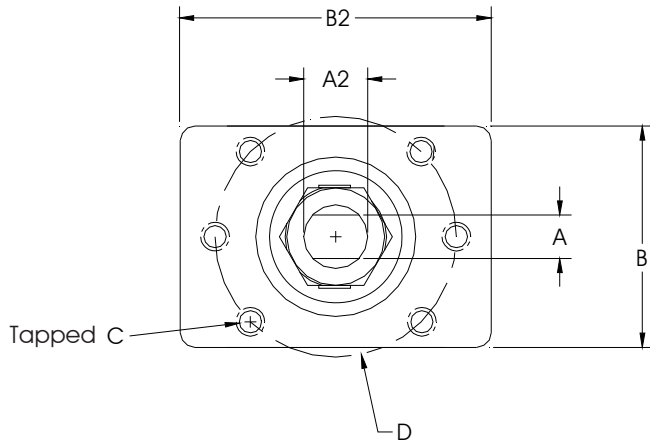
SB7 - 3" ~ 4" (Single Nut)

SIZE	A	B	B2	C1	C2 & C3	D1	D2	D3	ISO 5211	E	F	G
3"	0.75	4.0	3.7	0.39	M10-1.5	3.17	3.75	4.01	F10	1.9	0.78	1.85
4"	0.75	4.0	3.7	0.39	M10-1.5	3.17	3.75	4.01	F10	1.9	0.78	1.85

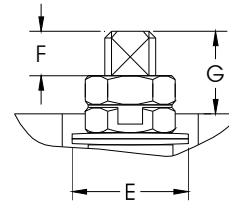
8

SB7F - SIZES 1/4" ~ 3/4"

9



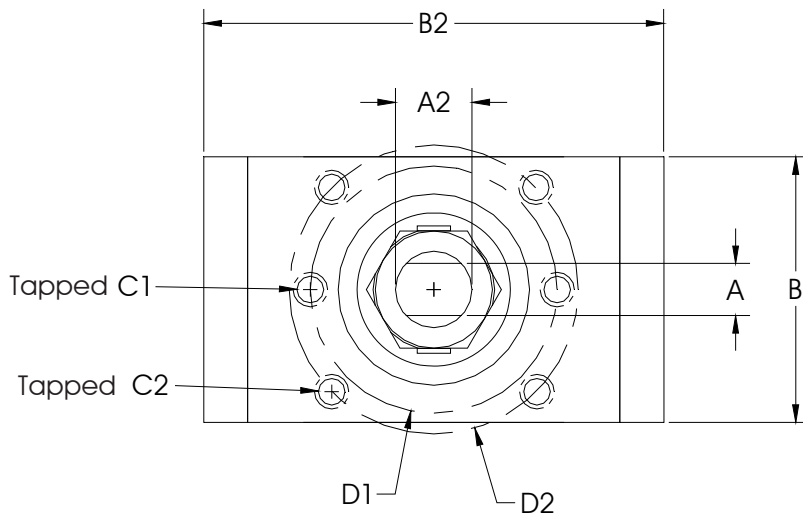
SB7F
Sizes 1/4" ~ 3/4"



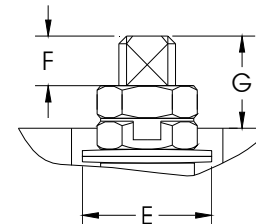
SB7F - 1/4" ~ 3/4" (Double Nut)

SIZE	A	A2	B	B2	C	D1	ISO 5211	E	F	G
1/4"	0.22	0.37	1.4	1.8	M5-0.8	1.42	F03	1.0	0.21	0.64
3/8"	0.22	0.37	1.4	1.8	M5-0.8	1.42	F03	1.0	0.21	0.64
1/2"	0.22	0.37	1.4	1.8	M5-0.8	1.42	F03	1.0	0.21	0.64
3/4"	0.22	0.37	1.4	1.8	M5-0.8	1.42	F03	1.0	0.21	0.64

SB7F - SIZES 1" ~ 2"



SB7F
Sizes 1" ~ 2"



SB7F - 1" ~ 2" (Double Nut)

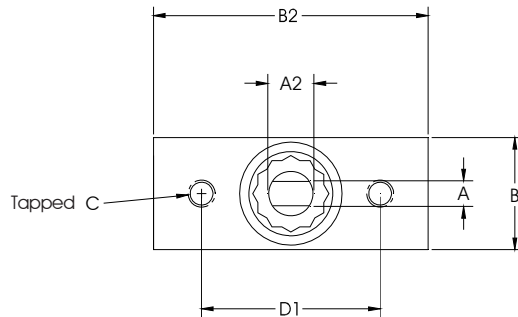
SIZE	A	A2	B	B2	C1 & C2	D1	D2	ISO 5211	E	F	G
1"	0.30	0.43	1.6	2.3	M5-0.8	1.65	1.65	F04	1.2	0.33	0.72
1-1/2"	0.34	0.56	2.1	3.2	M6-1.0	1.75	1.97	F05	1.4	0.43	1.16
2"	0.34	0.56	2.6	3.9	M6-1.0	1.75	1.97	F05	1.4	0.43	1.16

9



P4 - SIZE 1/2"

10



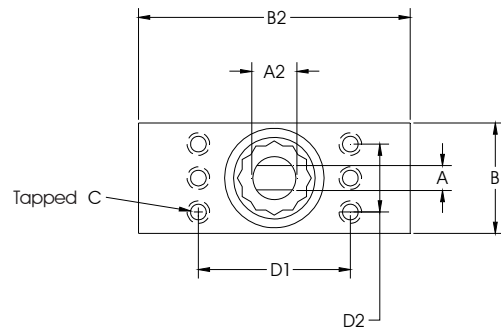
P4

Size 1/2"

P4 - 1/2" (Single Nut)

SIZE	A	A2	B	B2	C	D1	E	F	G
1/2"	0.22	0.37	0.81	2.0	M5-0.8	1.31	0.7	0.27	0.51

P4 - SIZE 3/4"



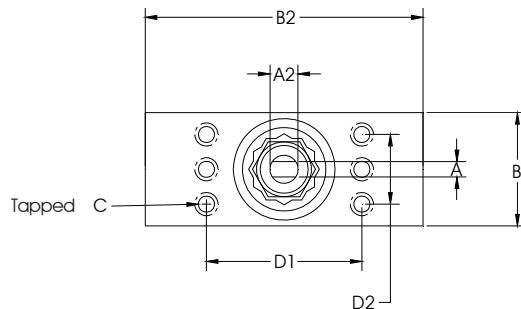
P4

Size 3/4"

P4 - 3/4" (Single Nut)

SIZE	A	A2	B	B2	C	D1	D2	E	F	G
3/4"	0.22	0.37	0.97	2.38	M5-0.8	1.33	0.43	0.7	0.27	0.40

P4 - SIZE 1"



P4

Size 1"

P4 - 1" (Double Nut)

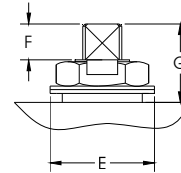
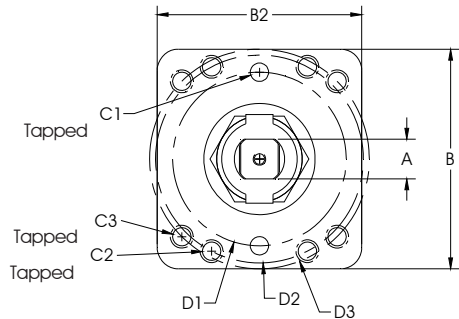
SIZE	A	A2	B	B2	C	D1	D2	E	F	G
1"	0.30	0.43	1.25	2.26	M5-0.8	1.65	0.94	0.9	0.31	0.83

10



FS7 - SIZES 3" & 4"

11



FS7

Sizes 3" ~ 4"

FS7 - 3" ~ 4" (Single Nut)

SIZE	A	B	B2	C1	C2 & C3	D1	D2	D3	ISO 5211	E	F	G
3"	0.75	4.0	3.8	0.32	M10-1.5	3.17	3.75	4.01	F10	1.9	0.71	1.87
4"	0.75	4.0	3.8	0.32	M10-1.5	3.17	3.75	4.01	F10	1.9	0.71	1.87



11